

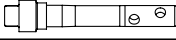
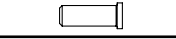

# FLUID - Panic Exit Device

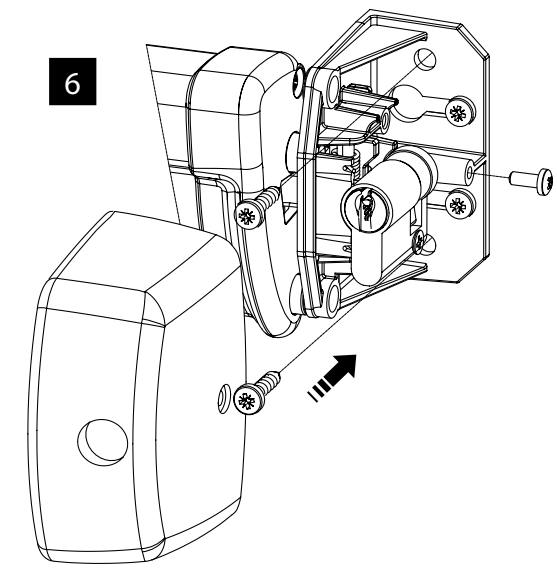
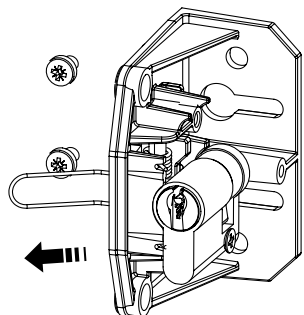
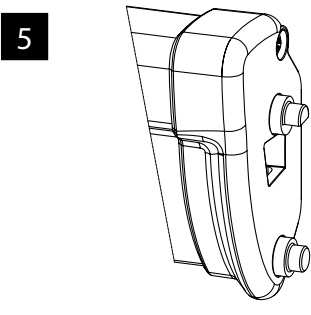
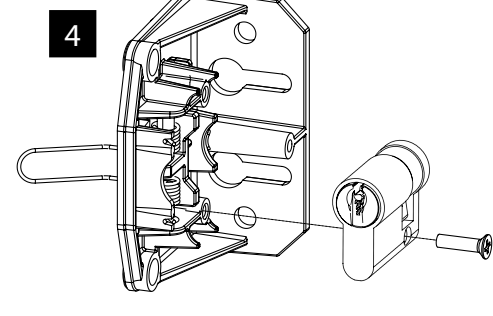
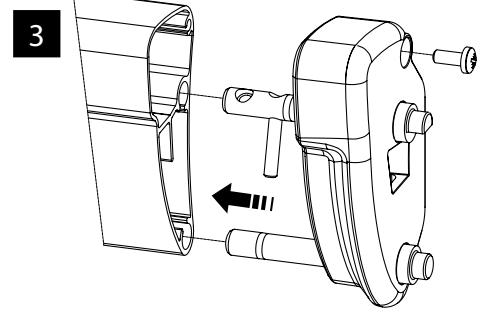
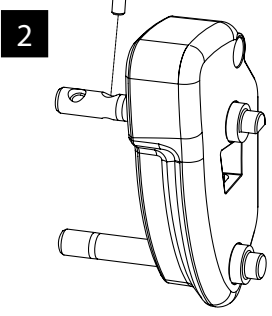
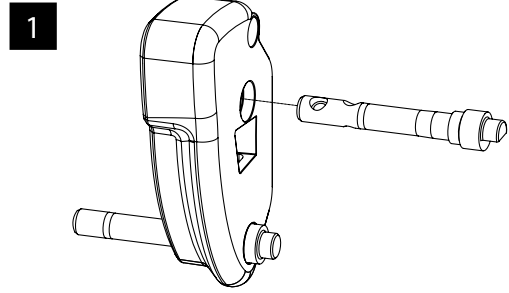
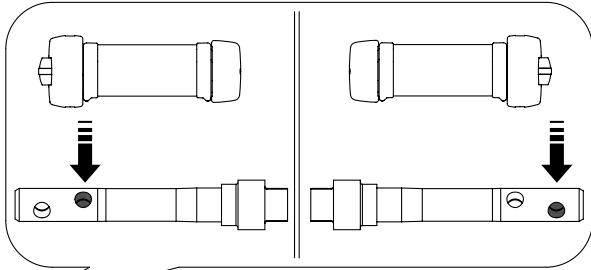


ASSA ABLOY

N01-1005

## Dogging option

	x 1
	x 1
	x 1



ASSA ABLOY Australia Pty Limited ABN 90 086 451 907 ©2016\_AAA-BRO-000\_V3.0

**Disclaimer**

Whilst every effort has been made to ensure that the information contained in this manual is accurate at the time of publication, ASSA ABLOY Australia Pty Limited ("ASSA ABLOY") recommends that you consult ASSA ABLOY or its agents prior to placing an order to ascertain current information on specific products, as ASSA ABLOY reserves the right to make changes without notice. ASSA ABLOY will not be liable for any injury, loss or damage whatsoever, arising from any errors or omissions in the information contained in the manual or arising from the use or application of the information contained herein.

© 2015 copyright by ASSA ABLOY All rights reserved

ASSA ABLOY Australia Pty Ltd  
235 Huntingdale Road  
Oakleigh, Victoria, 3166  
Australia

1300 LOCK UP (1300 562 587)  
lockweb.com.au

FE100-321